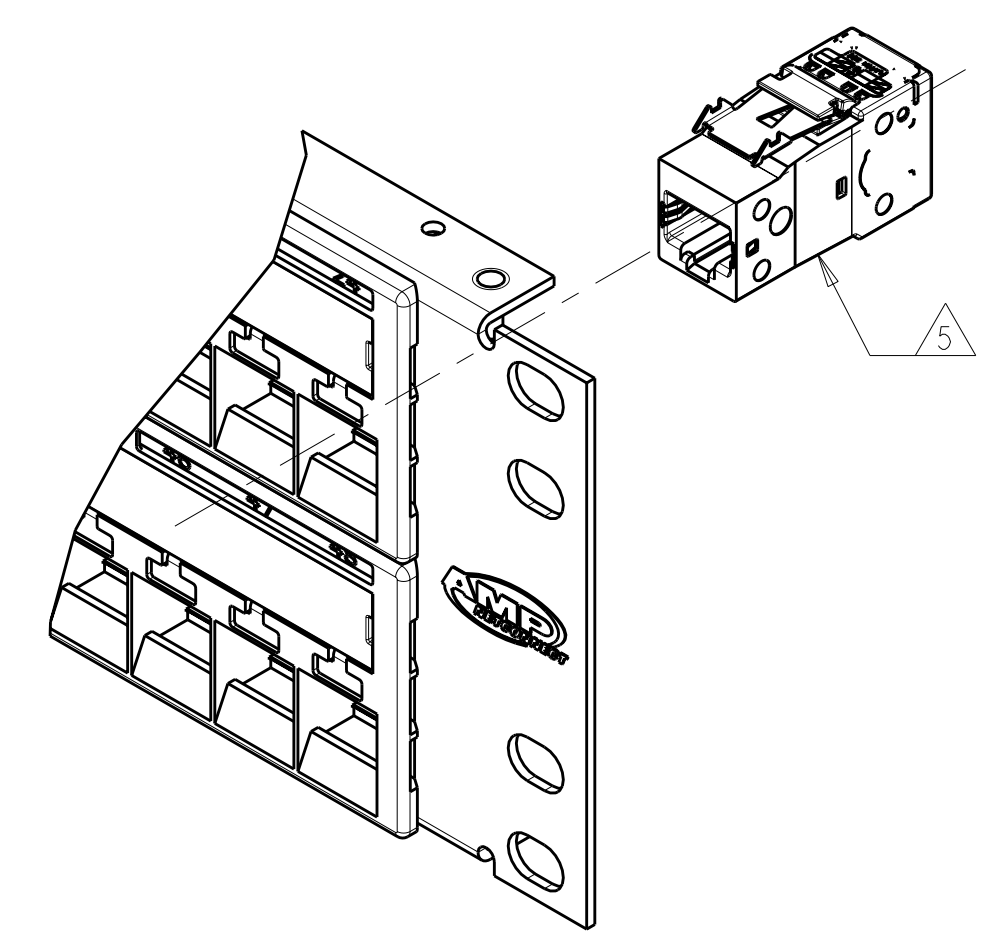
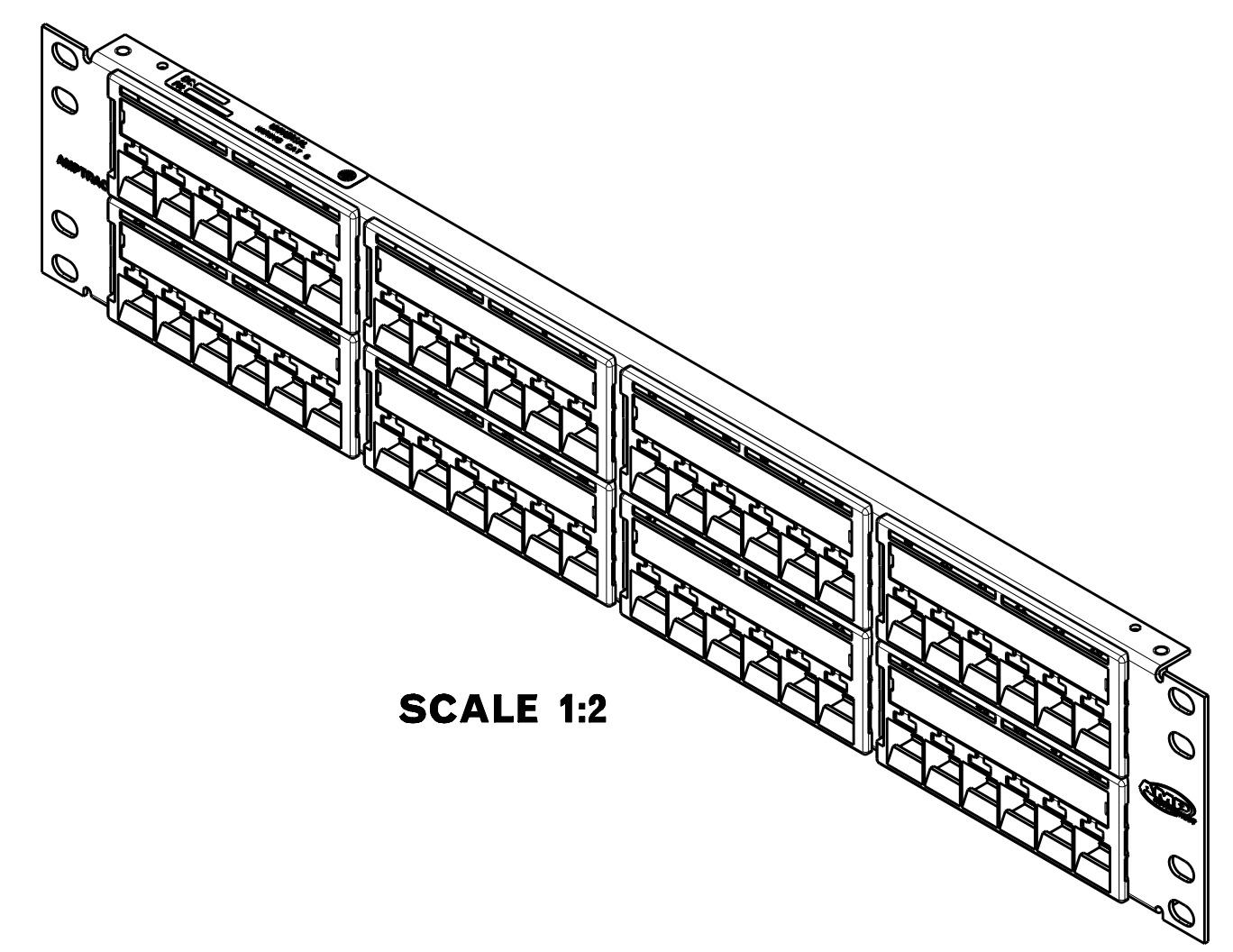
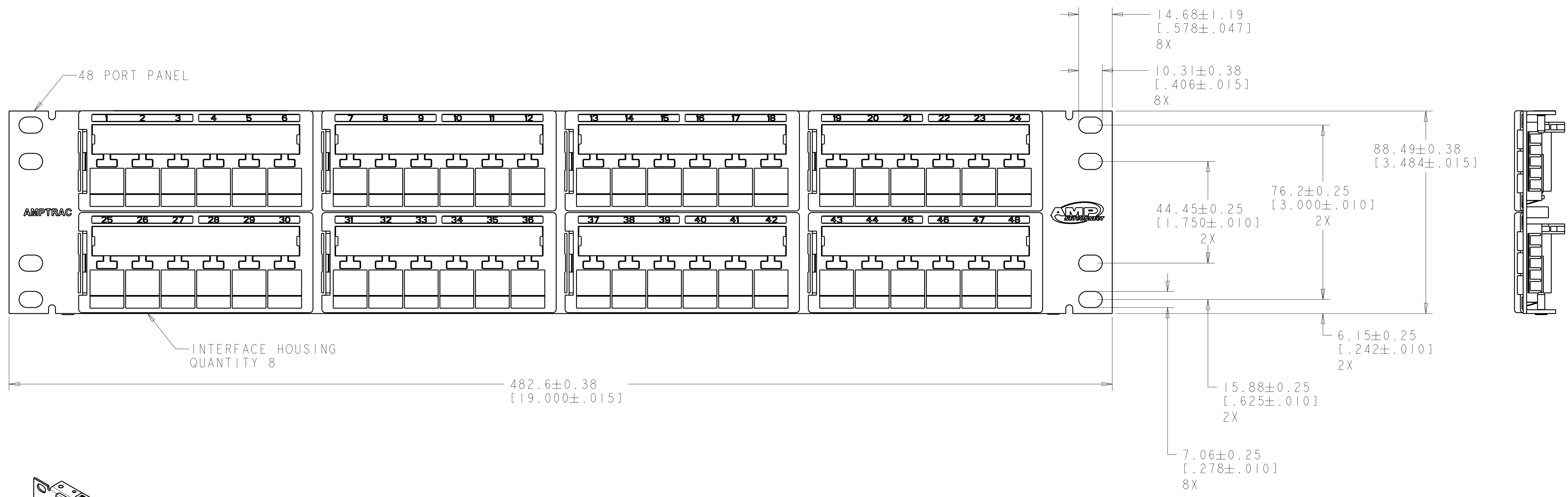
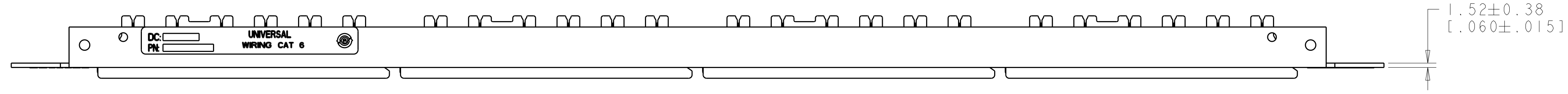


LOC	DIST	REVISIONS			
REV	LTN	DESCRIPTION	DATE	DWN	APVD
A		NSD07-041	31MAY2007	JM	SH
B		ECO-07-015502	05JUL2007	JM	SH
C		REV: ECO-08-019881	14AUG2008	GG	DC

- △ MATERIAL:
 CONNECTOR HOUSING, INTERFACE: POLYESTER MOLDING COMPOUND, BLACK.
 PANEL: BLACK POWDER COAT STEEL WITH WHITE MARKINGS.
- FOUR BLACK 12-24 X 12.7 [.500] LONG AND FOUR 10-32 X 12.7 [.500] LONG CARBON STEEL CROSS RECESSED SCREWS FOR MOUNTING OF PANEL, SHIPPED LOOSE. NOT SHOWN ON DRAWING.
 - EIGHT RELEASEABLE CABLE TIES USED FOR CABLE ORGANIZATION/ROUTING ARE SHIPPED LOOSE. NOT SHOWN ON DRAWING.
 - TWO BAGS OF STRAIN RELIEFS SHIPPED LOOSE. NOT SHOWN ON DRAWING.
- △ JACKS PACKAGED AND SHIPPED LOOSE TO BE FIELD INSTALLED.



DIMENSIONS: MM [INCHES] TOLERANCES UNLESS OTHERWISE SPECIFIED: 9 PLC ± 1 PLC ± 2 PLC ± 3 PLC ± 4 PLC ± ANGLES ± MATERIAL: △ FINISH: △		DWN: J MCNEAL 31MAY2007 CHK: S HERNDON 31MAY2007 APVD: S HERNDON 31MAY2007 PRODUCT SPEC: APPLICATION SPEC: WEIGHT: CUSTOMER DRAWING	Tyco Electronics Harrisburg, PA 17105-3608 NAME: KIT, PATCH PANEL, AMPTRAC 2U, 48 PORT, SHIELDED, XG, FLAT SIZE: CAGE CODE DRAWING NO: A11 00779 C=1933332 SCALE: 1:2 SHEET 1 OF 1 REV C
--	--	---	--

1933332-1
 PART NUMBER